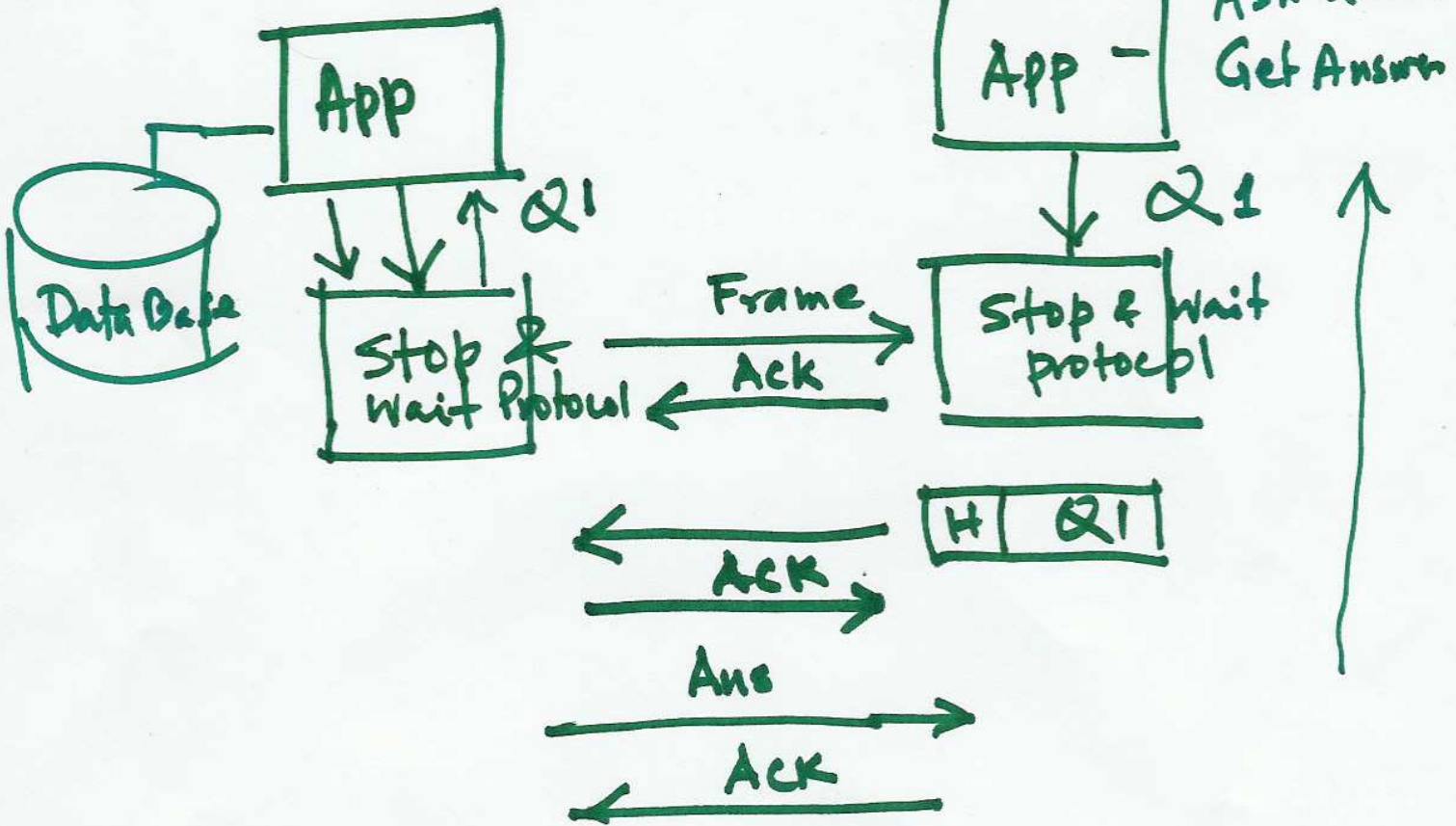


Server

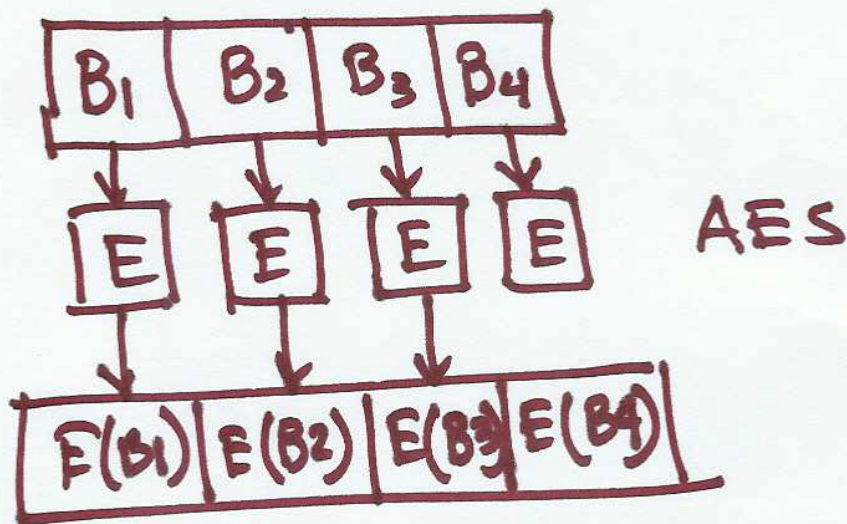
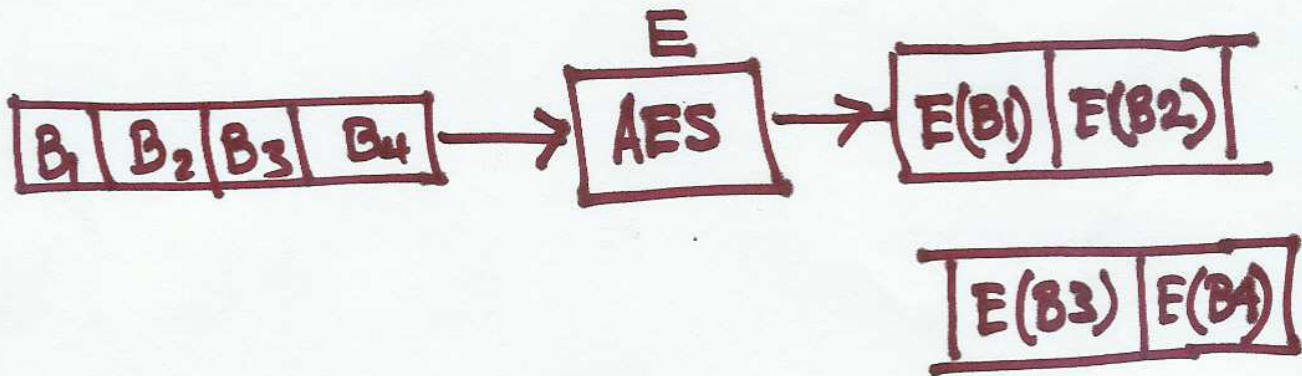
Client



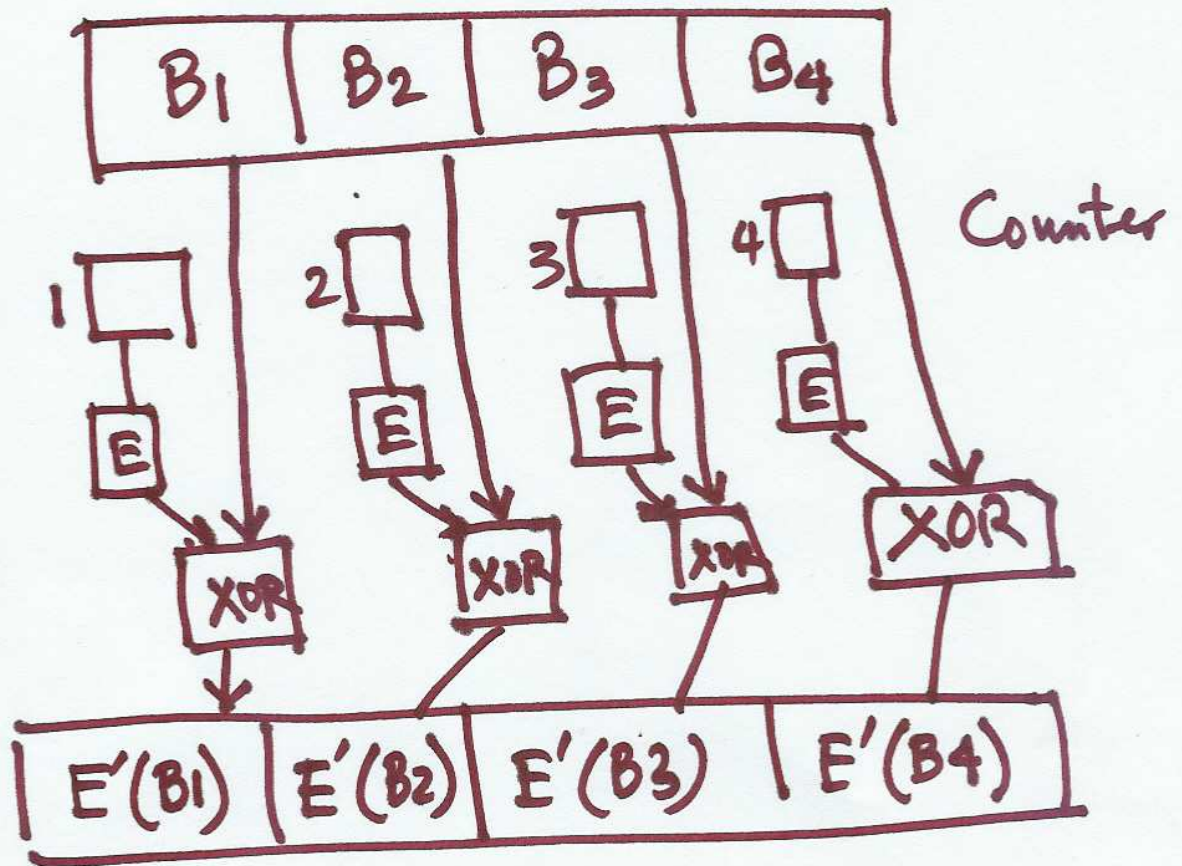
802.11 i - RSN

CCMP - Counter Mode
- CBC MAC protocol.

ECB - Electronic Code Book



Counter Mode



Message Authentication Method.
(Message Authentication Code)

CBC - Cipher Block Chaining MAC

