

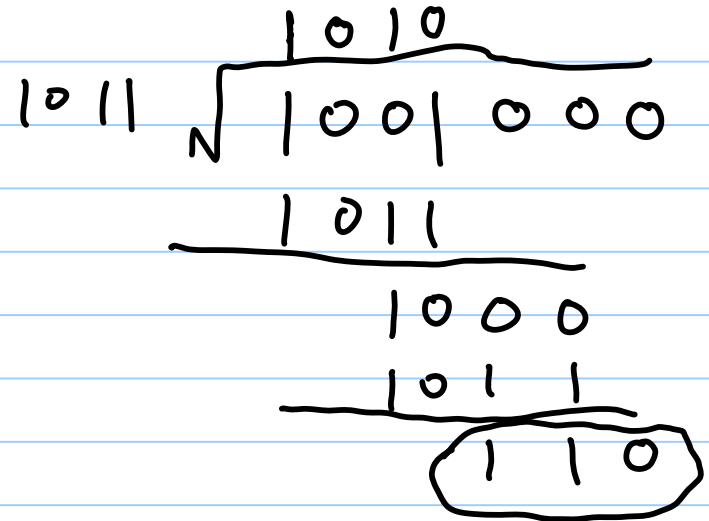
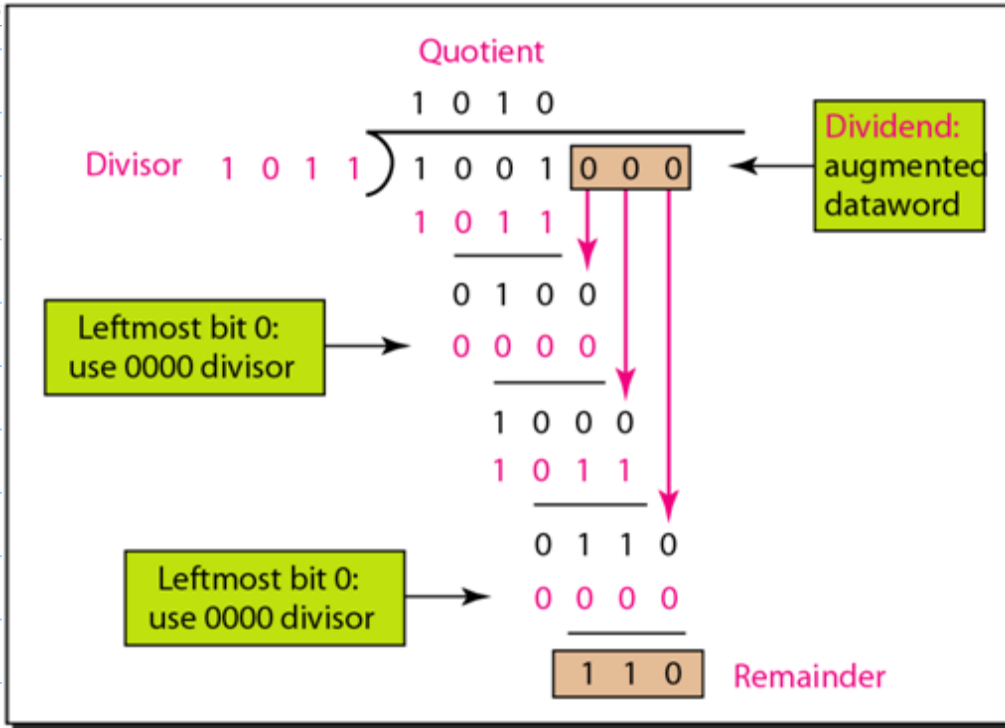
Dataword 1 0 0 1

data: 1001  
divisor: 1011

6/19/2012

Division

No



Codeword 1 0 0 1 1 1 0  
Dataword Remainder

**Data: 1000 Divisor: 1011**

**What is the codeword?**

$$\begin{array}{r} 1011 \\ 1011 \overline{) 10000000} \\ \underline{1011} \phantom{0000} \\ 1100 \phantom{00} \\ \underline{1011} \phantom{00} \\ 1110 \\ \underline{1011} \\ 101 \end{array}$$

Code word :

1000 101