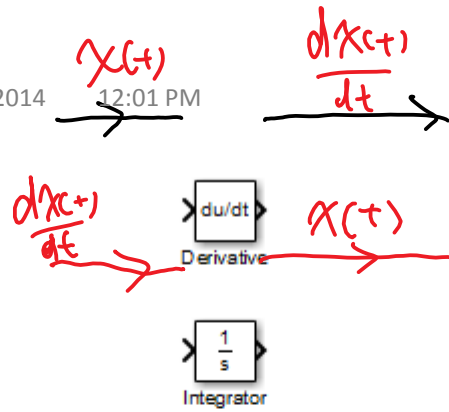
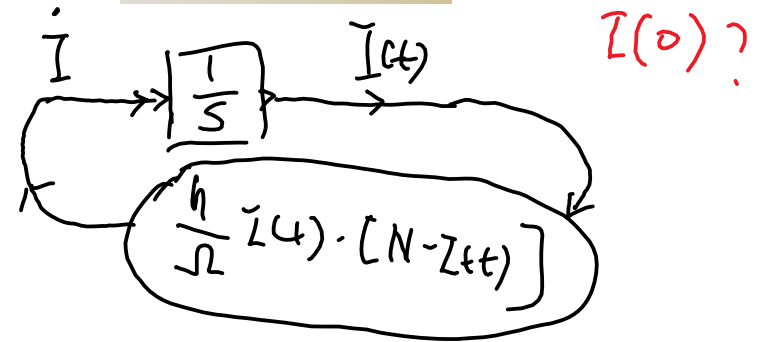


Monday, September 22, 2014

12:01 PM



$$\frac{dI(t)}{dt} = \frac{\eta}{\Omega} I(t) \cdot [N - I(t)]$$



Monday, September 22, 2014 1:05 PM

$$\dot{x} = \frac{1}{RC} [f(t) - x]$$

